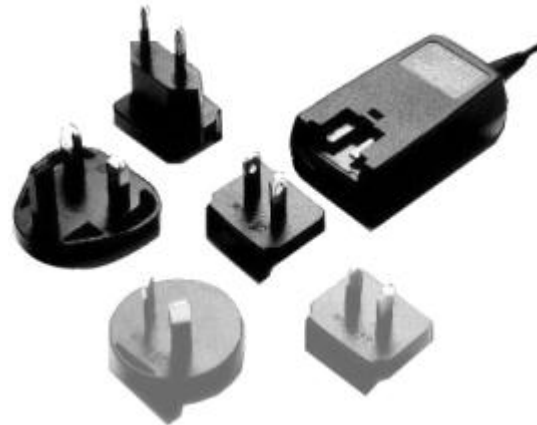


# DUE15WCP1

# Plug-in

# 6~15 W

Country of Origin: China  
Operating Temperature: 0 °C to 40 °C  
Dimensions: 75 x 46 x 30.5 mm  
Approvals / Marks:



## Features:

**Wall-mount Adapter with Interchangeable Plug (Standard: EU, UK/GB, US. Upon Request: CN, AU)**

**Suitable for Medical and LED Lighting Purposes**

Wide input voltage range from 100 V to 240 V (AC)

Output voltage available from 3 V to 24 V (DC)

Standard output connector: 5.5 mm x 2.1 mm x 9.5 mm or according to customers' requirements

Low standby power 0.3 W max.

1 year warranty

## Specification:

MODEL	Voltage (DC)	Current (A)	Tolerance	Ripple & Noise	Max. Power (W)
DUE15WCP1-3.0	3.0 V	2.00 A	5 %	100 mV p-p	6.0 W
DUE15WCP1-3.3	3.3 V	2.00 A	5 %	100 mV p-p	6.6 W
DUE15WCP1-3.6	3.6 V	2.00 A	5 %	100 mV p-p	7.2 W
DUE15WCP1-4.0	4.0 V	2.00 A	5 %	100 mV p-p	8.0 W
DUE15WCP1-4.2	4.2 V	2.00 A	5 %	100 mV p-p	8.4 W
DUE15WCP1-4.5	4.5 V	2.00 A	5 %	100 mV p-p	9.0 W
DUE15WCP1-5.0	5.0 V	2.00 A	5 %	100 mV p-p	10.0 W
DUE15WCP1-5.2	5.2 V	2.00 A	5 %	100 mV p-p	10.4 W
DUE15WCP1-5.5	5.5 V	2.00 A	5 %	100 mV p-p	11.0 W
DUE15WCP1-5.99	5.99 V	2.00 A	5 %	100 mV p-p	12.0 W
DUE15WCP1-7.0	7.0 V	1.70 A	5 %	100 mV p-p	11.9 W
DUE15WCP1-7.5	7.5 V	1.50 A	5 %	100 mV p-p	11.25 W
DUE15WCP1-8.0	8.0 V	1.50 A	5 %	100 mV p-p	12.0 W
DUE15WCP1-8.5	8.5 V	1.40 A	5 %	100 mV p-p	11.9 W
DUE15WCP1-9.0	9.0 V	1.30 A	5 %	100 mV p-p	11.7 W
DUE15WCP1-10.0	10.0 V	1.25 A	5 %	100 mV p-p	12.5 W
DUE15WCP1-10.5	10.5 V	1.25 A	5 %	100 mV p-p	13.125 W
DUE15WCP1-12.0	12.0 V	1.25 A	5 %	150 mV p-p	15.0 W
DUE15WCP1-13.8	13.8 V	1.00 A	5 %	150 mV p-p	13.8 W
DUE15WCP1-15.0	15.0 V	0.90 A	5 %	150 mV p-p	13.5 W
DUE15WCP1-16.0	16.0 V	0.85 A	5 %	200 mV p-p	13.6 W
DUE15WCP1-17.5	17.5 V	0.80 A	5 %	200 mV p-p	14.0 W
DUE15WCP1-18.0	18.0 V	0.80 A	5 %	200 mV p-p	14.4 W
DUE15WCP1-19.0	19.0 V	0.75 A	5 %	200 mV p-p	14.25 W
DUE15WCP1-20.0	20.0 V	0.75 A	5 %	200 mV p-p	15.0 W
DUE15WCP1-22.0	22.0 V	0.65 A	5 %	200 mV p-p	14.3 W
DUE15WCP1-23.0	23.0 V	0.65 A	5 %	200 mV p-p	14.95 W
DUE15WCP1-24.0	24.0 V	0.63 A	5 %	240 mV p-p	15.12 W

OUTPUT

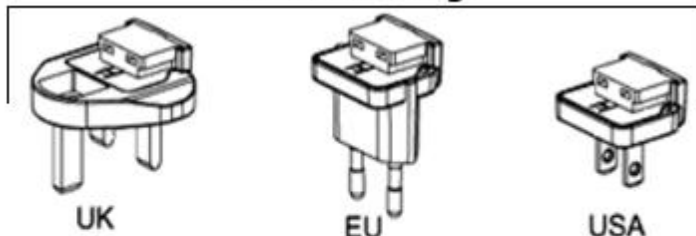
# DUE15WCP1

# Plug-in

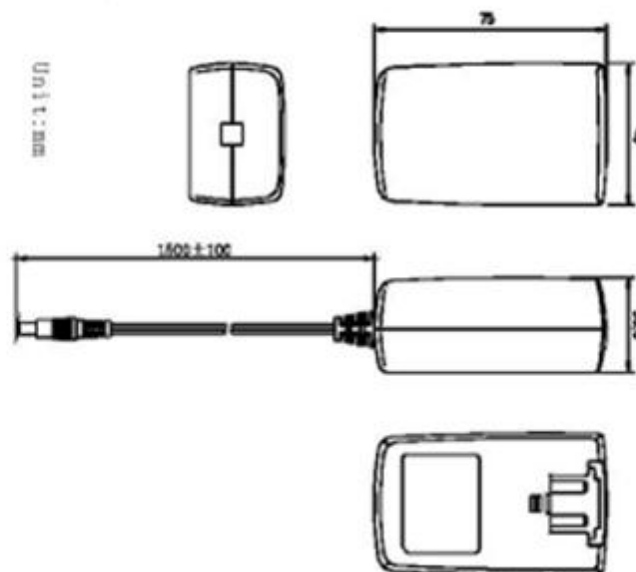
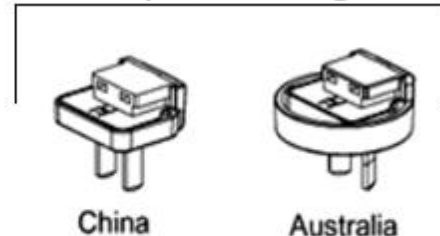
# 6~15 W

INPUT	Voltage (AC)	100 V to 240 V
	Frequency	50 Hz to 60 Hz
	Current	0.4 A @ AC 90 V input
	Inrush Current	40 A @ AC 240 V input
	Leakage Current	< 0.1 mA @ AC 240 V input
PROTECTION	Over Current	Yes
	Short Circuit	Output protected, auto recovery after short circuit condition has been removed
OTHERS	Standby Power	0.3 W max.
	Cooling	Free air convection
	Withstand Voltage	I/P-O/P: AC 4177 V or DC 5931 V / 1 minute
	Insulation Resist.	I/P-O/P, I/P-FG: DC 500 V / 10,000 Ohm
Environment	Temperature	Operating: 0 °C to 40 °C / Storage: -20 °C to 60 °C
	Humidity	5 % RH to 95 % RH
Connection	Input	Interchangeable Plugs (Standard): CEE 7/16 (Europlug) / BS 1363 (UK) / NEMA (US) Optionally available upon request: AS/NZS 3112 (AU) / CPCS-CCC (CN)
	Output	Standard Plug: 2.1 mm x 5.5 mm x 9.5 mm, center positive or customers' requirements // Cable: 180 cm
M.T.B.F.	50,000 hours (according to MIL-HDBK-217F in 25 °C environment)	
SAFETY APPROVED	IEC 60950-1:2006 2 <sup>nd</sup> ed. / IEC 60601-1:2005 / EN 60950-1:2006 / EN 60601-1:2006 / UL 60950-1 UL 60601-1 / EN 61347-1:2008 / EN 61347-2-13:2006 / PPP 76001:2008 incl. 01 2-08 PSE-JET / C-Tick (AS / NZS 3200 Medical) / CCC (ITE GB4943)	
EMC	EN 60601-1-2:2007 / EN 61000-3-2:2006 / EN 61000-3-3:1995+A2:2005	
WEIGHT	N.W.: 120 g without interchangeable AC plug	

## Standard Plugs



## Optional Plugs



# DEHNER

Elektronik GmbH

- AC/DC Power Supplies
- DC/DC Power Supplies
- LED Drivers
- Medical Power Supplies



DEHNER Elektronik GmbH  
Untere Bein 3  
65375 Oestrich-Winkel  
Germany

Phone: +49 6723 913-0  
Fax: +49 6723 913-18

<http://www.dehner.net>

E-Mail: [info@dehner.net](mailto:info@dehner.net)

